



SUBSEA ROTARY ACTUATOR

QUIET, RELIABLE, AND EFFICIENT



Moog's Naval Systems Business Unit is the premier supplier of custom designed, high performance motion control solutions for mission critical undersea applications. Moog actuation systems provide industry leading reliability and efficiency and are closely tailored to the needs of each customer. This data sheet describes an existing rotary actuation product. Moog will customize this or other designs to suit your application.

KEY FEATURES

- Customizable to meet your specific needs
- High reliability
- High efficiency
- Low noise



Credit: U.S. Navy photo courtesy of Huntington Ingalls Industries



Credit: U.S. Navy



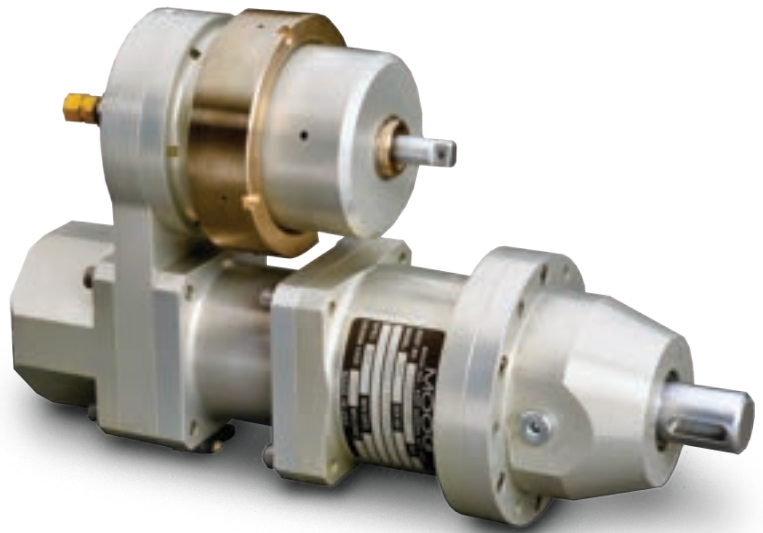
Credit: U.S. Navy/MC1 Michael B. Zingaro

SUBSEA ROTARY ACTUATOR

PERFORMANCE

Features	Specifications
Stroke	-20° to 20° (software limited)
Torque	35 FTLB
Speed	20°/s
Input power	270VDC
Weight	3.99 kg; 8.8 lbs

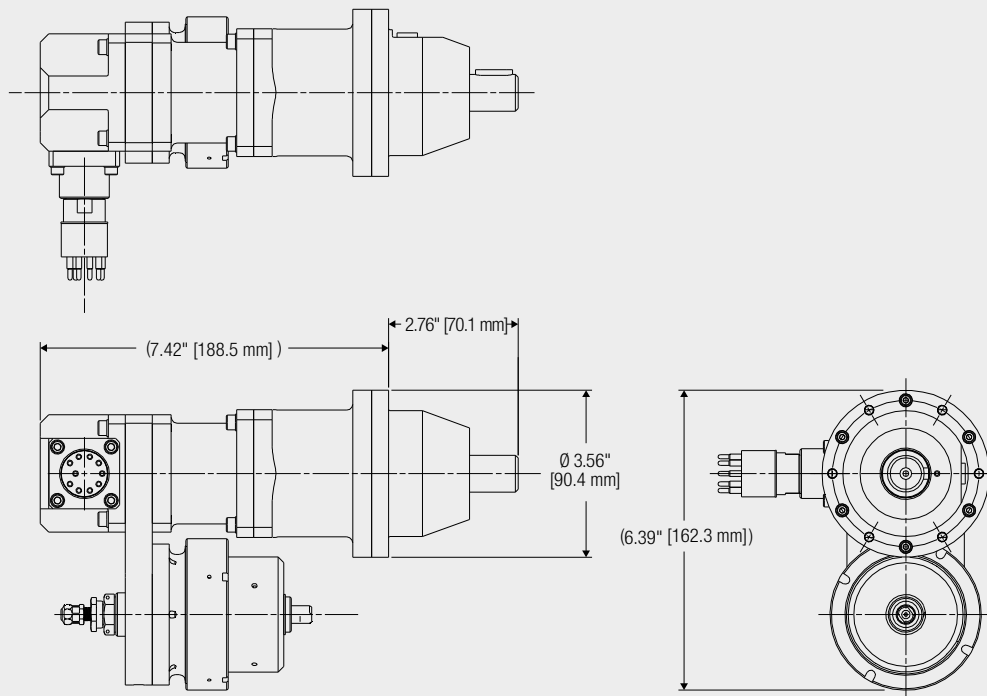
Pressure compensated for external environment up to 1000 PSI (modular compensator to handle up to full ocean depth)



DESIGN FEATURES

- PBOF motor cavity
- Moog BLDC motor
- Resolver based position indication
- Several controller options available

ARCHITECTURAL AND DIMENSIONAL DRAWING



MOOG
SPACE AND DEFENSE GROUP

AMERICAS

navalsystems@moog.com
www.moog.com/defense



Moog Space and Defense

AUSTRALIA

Info.australia@moog.com
www.moog.com.au



Moog Inc.



@Moog_Inc

EUROPE

defenceurope@moog.com
www.moog.com/defence



@Moog.Inc

The appearance of U.S. Department of Defense (DoD) visual information does not imply or constitute DoD endorsement.

Equipment described herein falls under the jurisdiction of the ITAR and requires US Government Authorization for export purposes. Diversion contrary to US law is prohibited.

©2024 Moog, Inc. All rights reserved.

Product and company names listed are trademarks or trade names of their respective companies.