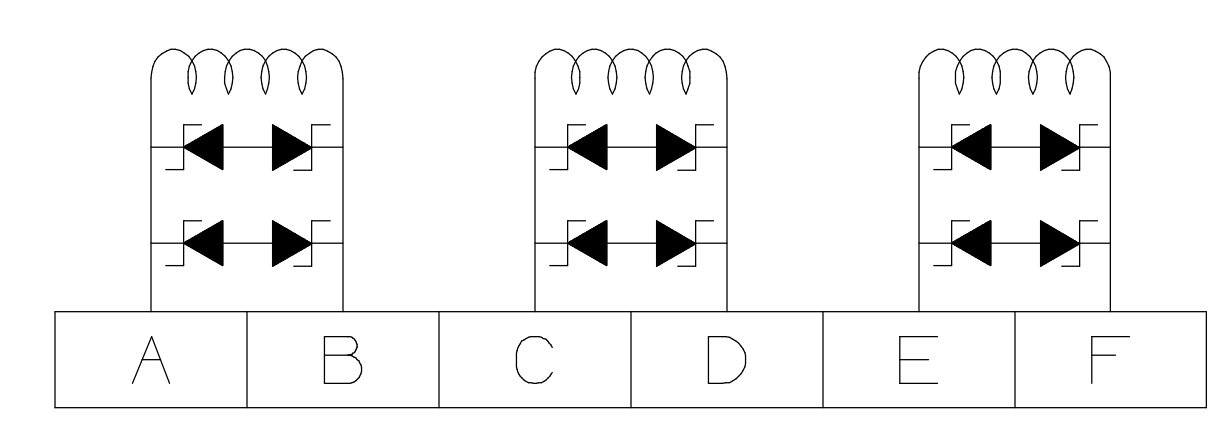


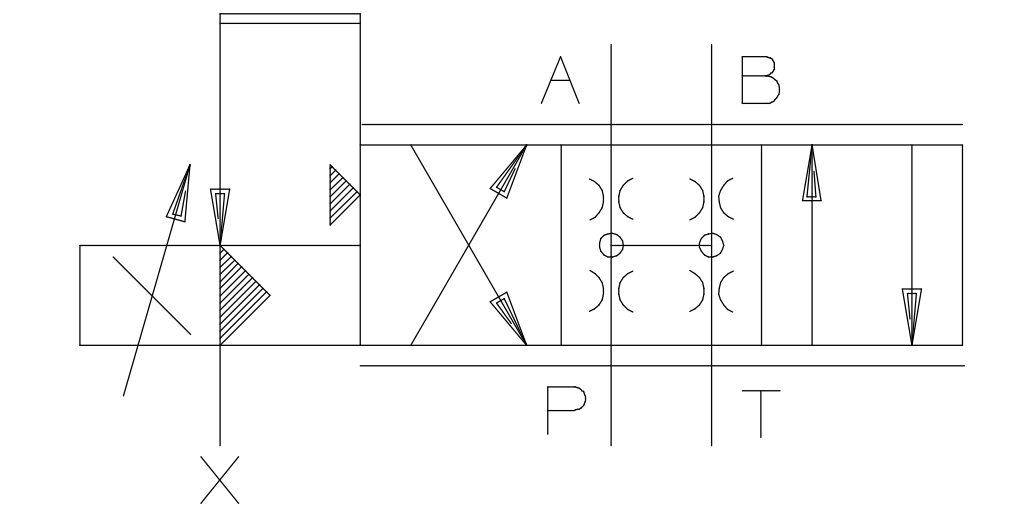
THIS TECHNICAL DATA/DRAWING/DOCUMENT CONTAINS PROPRIETARY AND CONFIDENTIAL INFORMATION OF MOOG INC. OR MOOG INC. SUBSIDIARIES EXCEPT AS EXPRESSLY GRANTED BY CONTRACT OR BY OPERATION OF LAW AND IS RESTRICTED TO USE BY ONLY MOOG EMPLOYEES AND OTHER PERSONS AUTHORIZED IN WRITING BY MOOG OR AS EXPRESSLY GRANTED BY CONTRACT OR BY OPERATION OF LAW. NO PORTION OF THIS DATA/DRAWING/DOCUMENT SHALL BE REPRODUCED OR DISCLOSED OR COPIED OR FURNISHED IN WHOLE OR IN PART TO OTHERS OR USED BY OTHERS FOR ANY PURPOSE WHATSOEVER EXCEPT AS SPECIFICALLY AUTHORIZED IN WRITING BY MOOG INC. OR MOOG INC. SUBSIDIARY.

REVISIONS				
ZONE	REV	DESCRIPTION	DATE	APPROVED
	C	SEE EO UE1033426	20100715	KJY/DRK
	D	SEE EO UE1035313	20101116	KJY/DRK

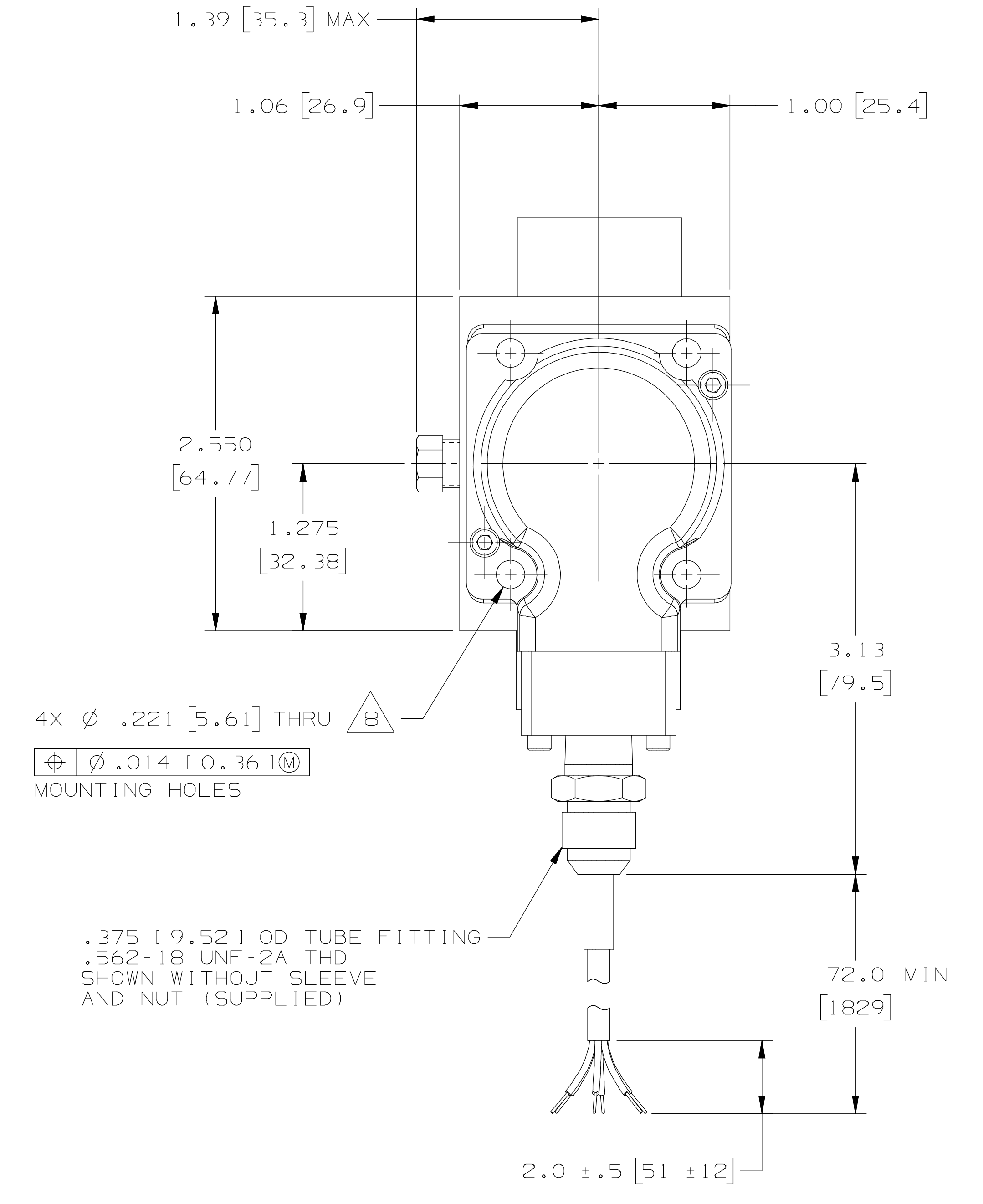
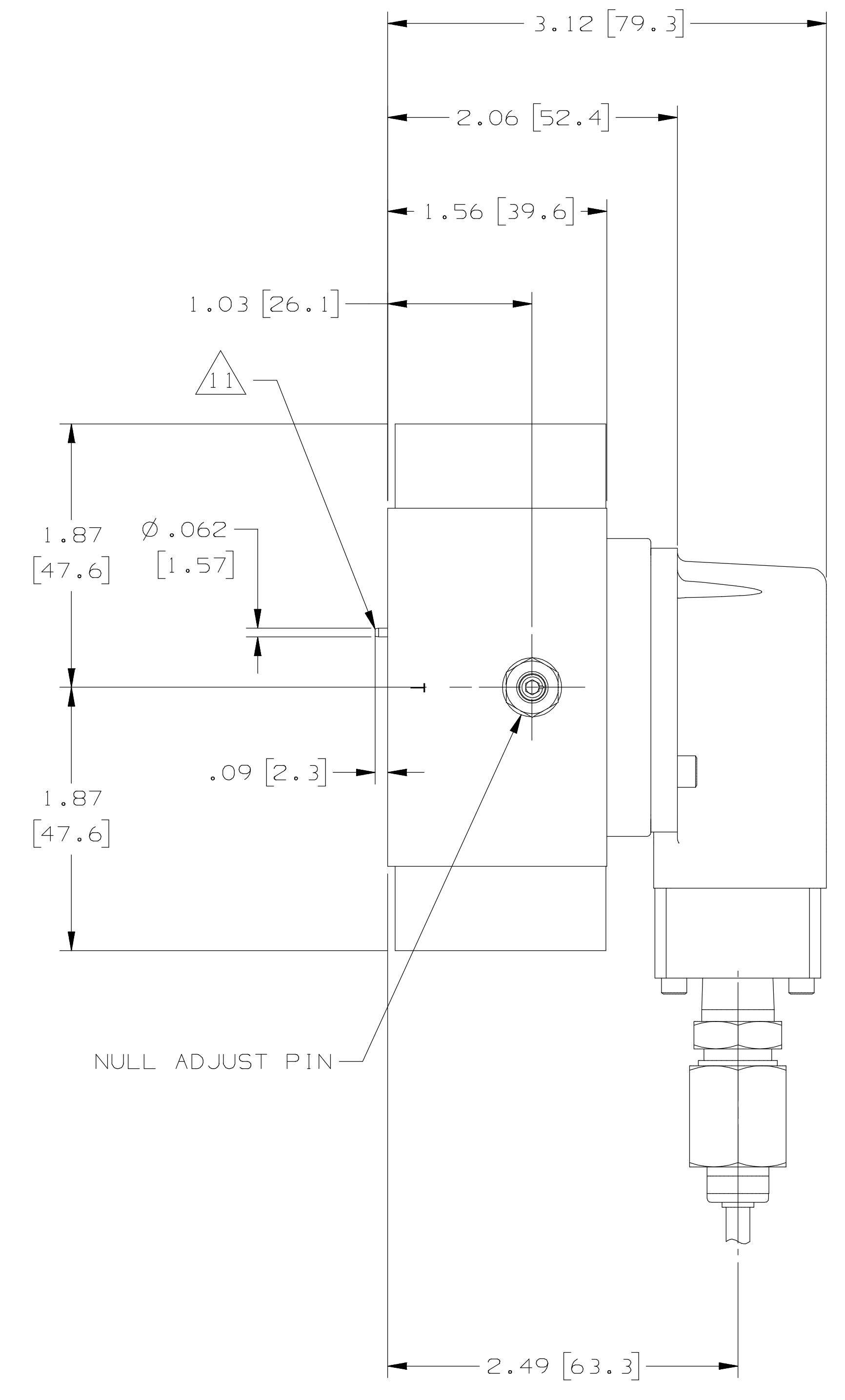
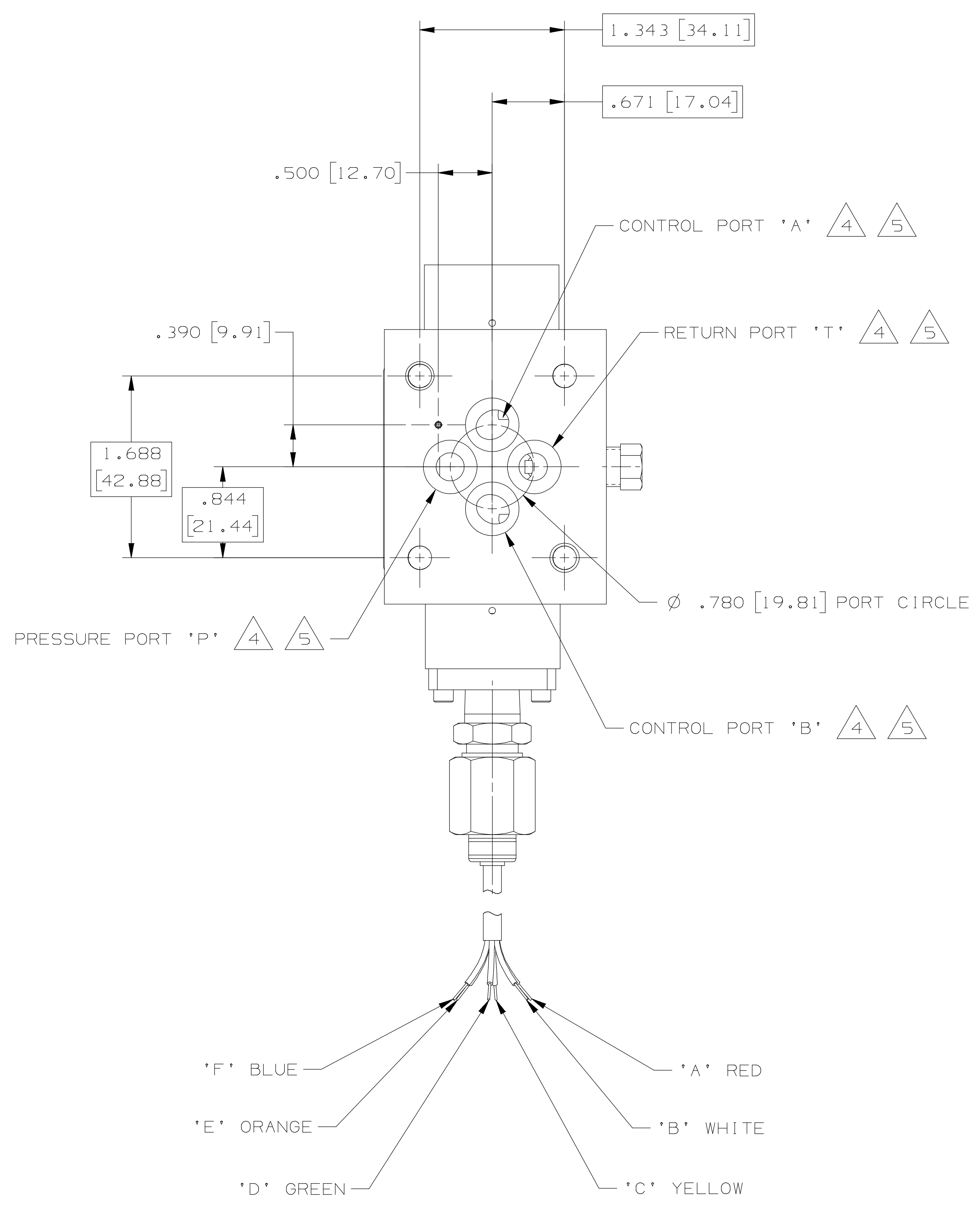
- NOTES:
- FLUID: INDUSTRIAL TYPE PETROLEUM BASE HYDRAULIC FLUID. 10 MICRON (25 ABSOLUTE) FILTRATION REQUIRED.
 - AMBIENT TEMPERATURE RANGE: -20°F TO +275°F (-30°C TO +135°C).
 - VALVE PHASING: FLOW OUT PORT 'A' WILL RESULT WHEN: SINGLE COIL: A+ B-, OR C+ D-, OR E+ F-.
 - P, T, A & B PORTS: .260 [6.60] DIA CBORED NOMINALLY .498 [12.65] DIA X .055 [1.40] DEEP.
 - 4 PORT O-RINGS: .070 [1.78] SECT. X .364 [9.24] ID HAVING COMPATIBLE O-RING COMPOUND (UNIVERSAL DASH NO. 012).
 - SURFACE TO WHICH VALVE IS MOUNTED REQUIRES $\sqrt{0.8}$ FINISH. FLAT WITHIN .001 [0.03] TIR.
 - DIMENSIONS WITHOUT TOLERANCE ARE FOR REFERENCE ONLY. DIMENSIONS IN BRACKETS () ARE IN MILLIMETERS.
 - SUGGESTED MOUNTING SCREWS: .190-32 UNF X 2.50 [M5 X 60] LONG SOCKET HEAD CAP SCREWS - 4 REQUIRED. TORQUE TO 57 IN LB.
 - APPROVED BY FM AS INTRINSICALLY SAFE FOR CLASS I, II, AND III, DIVISION 1, GROUPS A THROUGH G, AND NONINCENDIVE FOR CLASS I, DIVISION 2, GROUPS A, B, C, AND D, WHEN WIRED IN ACCORDANCE WITH MOOG CONTROL DRAWING G4400. SEE VALVE NAMEPLATE FOR COIL PART NUMBER.
 - APPROVED BY KEMA QUALITY B.V. AS Ex ia IIC T4 FOR CATEGORY 1G AND Ex na II T3..T4 FOR CATEGORY 3G. REFER TO MOOG CONTROL DRAWING G4400 FOR SPECIFIC APPROVAL PARAMETERS. SEE VALVE NAMEPLATE FOR COIL PART NUMBER.
 - PIN OPTIONAL: CUSTOMER SPECIFIED.



SERVOVALVE ELECTRICAL SCHEMATIC



HYDRAULIC SCHEMATIC



INTERNATIONAL PART

G772K SERIES		INSTALLATION, G772K SERIES		BALLOON NO.
QTY REQD	PART OR IDENTIFYING NO.	NOMENCLATURE OR DESCRIPTION		
		PARTS LIST		
UNLESS OTHERWISE SPECIFIED		INTERPRET DRAWING PER MIL-STD-130 DIMENSIONING AND TOLERANCING PER ASME Y14.5M-1994		
ANGULAR ±	XXX ±	CONTRACT NO.	MOOG INC.	
FILLET	RAD	PREPARED L. REBOY	3/24/83	
EDGES	RAD OR CHAM	CHECKED M. WANTUCK	4/5/83	
SURFACE ROUGHNESS PER ANSI Y14.20 & B46.1	✓	ENGR CEA	4/15/83	
CONCENTRIC DIAMETERS: $\sqrt{1.00}$		PRD ENGR		
DRILL POINTS: 115° TAP		APL ENGR		
ALL DIMENSIONS ARE IN INCHES PART TO BE FREE OF BURRS		MFG		
		QUAL GRB	4/26/83	
TITLE		MOOG INC., EAST AURORA, NY 14052		
SIZE		E 94697		
SCALE		A55207		
SHEET				